



EOCR-DS1(T) / DS3(T)

- 内置 MCU (微处理器控制单元)
  - 微超薄设计
  - 各种保护功能
  - 独立设定起动延迟时间和动作延迟时间
  - 运行电流检测: 红色 LED
  - 操作显示和故障原因检查
  - 手动 (即时)/电动复位
  - 超强环境适用性
  - 低功耗, 超节能
  - 无电压释放/安全模式操作 → N型
- ※ (T): 端子型  
 ※ AC/DC 供电电源  
 ※ DS1(T), DS3(T): 适用于三相负载  
 ※ 可通过DIP SW开关选择 N/R, 缺相保护功能选择 ON(启用)/OFF(关闭)






















## 保护功能及特点

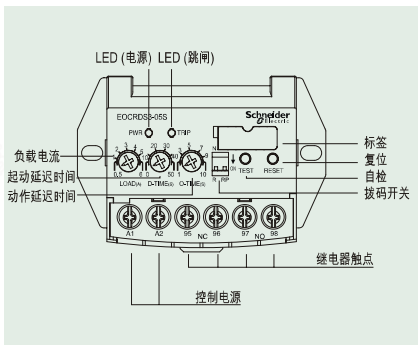
型号	保护功能				电流-时间特性	操作时间		保护项目	操作时间
	过电流	缺相	反转	堵转		启动时间	动作时间		
DS1 (T)	○	○	○	○	反时限	0~50 sec	1~10 sec	过电流	O-Time
DS3 (T)	○	○	○	○	定时限	1~50 sec	1~10 sec	缺相	4 sec以内
								反转	0.3 sec
								堵转	D-Time

- 堵转保护依据为运行电流达到设定的负载电流的300%或者更大时的故障现象。此故障的跳闸时间为设定的启动时间(D-TIME)。
- DS1(T) 过电流时跳闸时间取决于选择的电流-时间特性曲线。

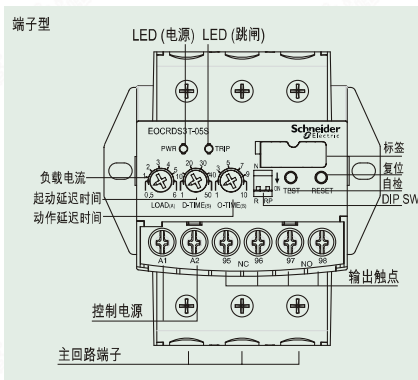
## 故障原因

### EOCR-DS1 [T]/DS3 [T]

条件	LED 指示 (脉冲图示表)					
		绿 LED	红 LED			
提供电源	闪烁		灯-灭			
操作中	闪烁		闪烁			
正常运行	灯-亮		灯-灭			
超负载中	灯-亮		闪烁			
Upon operation /trip	过电流	灯-灭		灯-亮		
	堵转	灯-灭		闪烁		
	缺相	L1	灯-灭		单脉冲重复	
		L2	灯-灭		双脉冲重复	
		L3	灯-灭		3脉冲重复	
反转	重复交替闪烁					



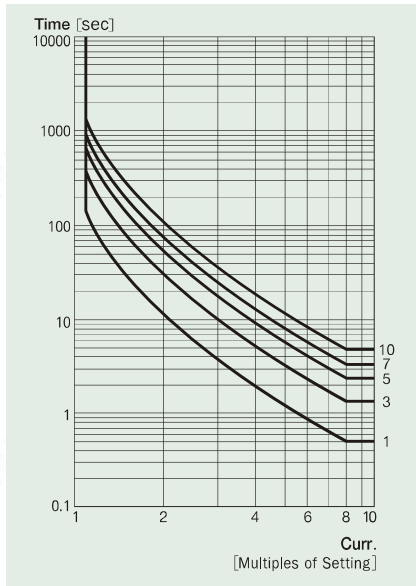
EOCR-DS1



EOCR-DS3T

# EOCR-DS1 (T)/DS3 (T)

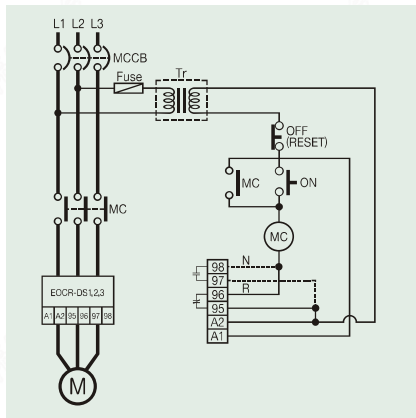
www.skeocr.com  
18833390060/18833390050



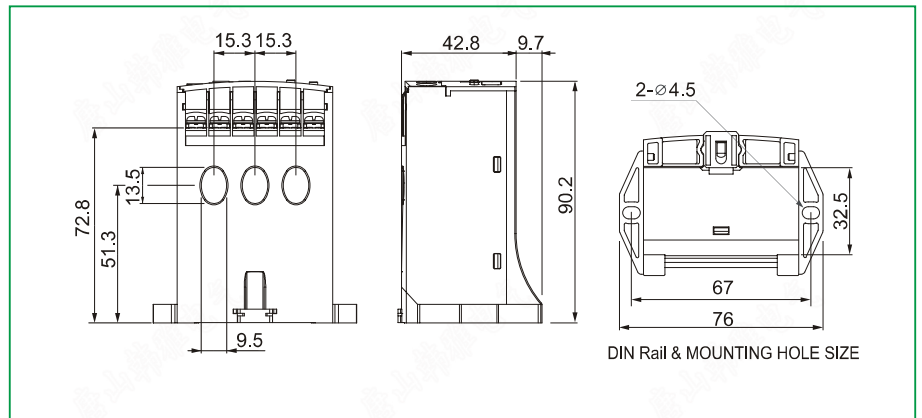
EOCR-DS1 (T)-05型反时限特性曲线

## 技术参数

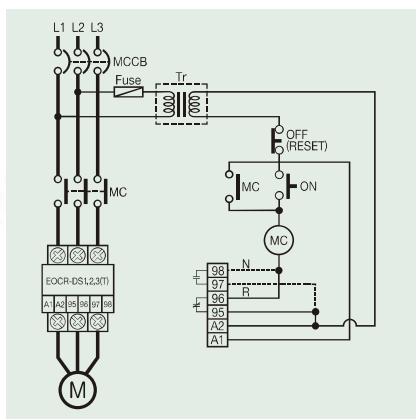
电流时间	类别	设定范围 (DS1)	设定范围 (DS3)	
	5	0.5~6A	0.5~6A	
	30	3.0~30A	3.0~30A	
时间设定	起动作延迟时间	D-TIME	0~50 sec	
	跳闸动作延迟	O-TIME	1~10 sec	
复位	手动(即时)/电动(远程)复位			
电流-时间特性曲线		反时限	定时限	
操作电源	电压	S	24~240V AC/DC	
		W	380~480V AC	
辅助触点	频率	50/60Hz		
	类型	2-SPST (1a1b)		
	状态	R 型	正常状态 (提供供电电源后: 95-96仍为闭点, 97-98仍为开点)	
		N 型	正常状态(提供供电电源后: 95-96为开点, 97-98为闭点)	
容量	AC250V/3A 电阻性			
安装方式	35mm 导轨/固定			



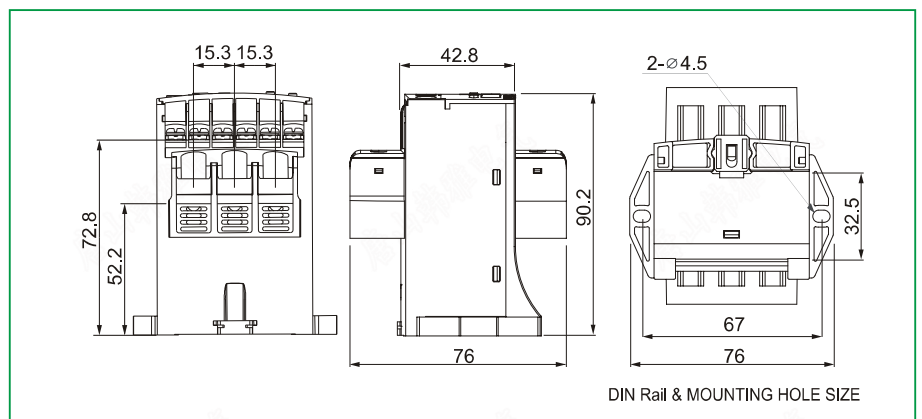
EOCR-DS1/DS3



EOCR-DS1 / DS3



EOCR-DS1T/DS3T



EOCR-DS1T / DS3T

※ "N"(安全模式)型, 95-96接通A1、A2 (或L1、L2)  
电源后闭点变开点97-98触点开点变闭点

## 选型表

参考代码	电流范围 [A]	CT	输出触点	供电电源		附件	
				电压 [V]	频率 [Hz]		
EOCRDS1	- 05S	5		Can select N/R	AC/DC 24~240V	DC or AC 50/60	For both Panel/DIN Rail
	- 05W	5		Can select N/R	AC 380~440V	50/60	For both Panel/DIN Rail
	- 30S	30		Can select N/R	AC/DC 24~240V	DC or AC 50/60	For both Panel/DIN Rail
	- 30W	30		Can select N/R	AC 380~440V	50/60	For both Panel/DIN Rail
	- H1S	5	100	Can select N/R	AC/DC 24~240V	DC or AC 50/60	For both Panel/DIN-rail, 3CT combination
	- HHS	5	150	Can select N/R	AC/DC 24~240V	DC or AC 50/60	For both Panel/DIN-rail, 3CT combination
	- H2S	5	200	Can select N/R	AC/DC 24~240V	DC or AC 50/60	For both Panel/DIN-rail, 3CT combination
EOCRDS1T	- 05S	5		Can select N/R	AC/DC 24~240V	DC or AC 50/60	DIN-rail
	- 05W	5		Can select N/R	AC 380~440V	50/60	DIN-rail
	- 30S	30		Can select N/R	AC/DC 24~240V	DC or AC 50/60	DIN-rail
	- 30W	30		Can select N/R	AC 380~440V	50/60	DIN-rail
EOCRDS3	- 05S	5		Can select N/R	AC/DC 24~240V	DC or AC 50/60	For both Panel/DIN Rail
	- 05W	5		Can select N/R	AC 380~440V	50/60	For both Panel/DIN Rail
	- 30S	30		Can select N/R	AC/DC 24~240V	DC or AC 50/60	For both Panel/DIN Rail
	- 30W	30		Can select N/R	AC 380~440V	50/60	For both Panel/DIN Rail
	- 60S	60		Can select N/R	AC/DC 24~240V	DC or AC 50/60	For both Panel/DIN Rail
	- 60W	60		Can select N/R	AC 380~440V	50/60	For both Panel/DIN Rail
	- H1S	5	100	Can select N/R	AC/DC 24~240V	DC or AC 50/60	For both Panel/DIN-rail, 3CT combination
	- HHS	5	150	Can select N/R	AC/DC 24~240V	DC or AC 50/60	For both Panel/DIN-rail, 3CT combination
	- H2S	5	200	Can select N/R	AC/DC 24~240V	DC or AC 50/60	For both Panel/DIN-rail, 3CT combination
	- H3S	5	300	Can select N/R	AC/DC 24~240V	DC or AC 50/60	For both Panel/DIN-rail, 3CT combination
EOCRDS3T	- 05S	5		Can select N/R	AC/DC 24~240V	DC or AC 50/60	For both Panel/DIN Rail
	- 05W	5		Can select N/R	AC 380~440V	50/60	For both Panel/DIN Rail
	- 30S	30		Can select N/R	AC/DC 24~240V	DC or AC 50/60	For both Panel/DIN Rail
	- 30W	30		Can select N/R	AC 380~440V	50/60	For both Panel/DIN Rail
	- 60S	60		Can select N/R	AC/DC 24~240V	DC or AC 50/60	For both Panel/DIN Rail
	- 60W	60		Can select N/R	AC 380~440V	50/60	For both Panel/DIN Rail

## 产品订购

e.g., To order an EOCR-DS1, DS3/DS1T, and DS3T:

E	O	C	R	D	S	1	-	0	5	S	
E	O	C	R	D	S	3	-	0	5	S	
E	O	C	R	D	S	1	T	-	0	5	S
E	O	C	R	D	S	3	T	-	0	5	S

A                      B

A	电流范围	05	0.5~6A
		30	3~30A
		60	5~60A
B	供电电源/频率	S	AC/DC 24~240V
		W	AC 380~440V

e.g., To order a 2CT:

3	C	T	-	H	1	-	1	0	0	-	C
---	---	---	---	---	---	---	---	---	---	---	---

A

A	电流互感器 CT变比	H1	100	方形 3CT 100:5
		HH	150	方形 3CT 150:5
		H2	200	方形 3CT 200:5
		H3	300	方形 3CT 300:5