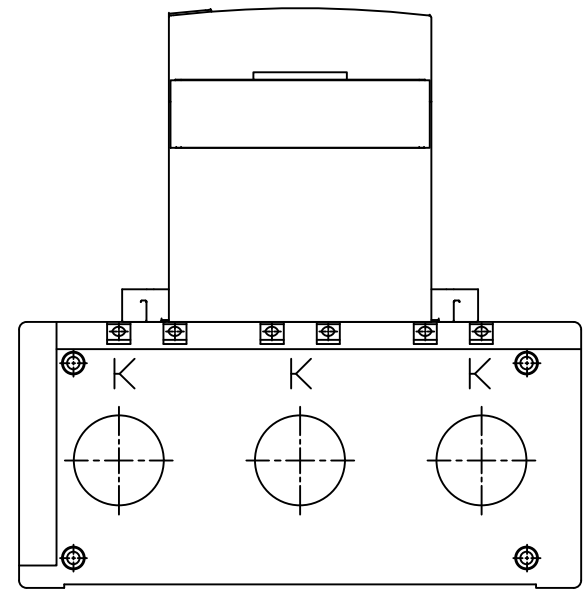
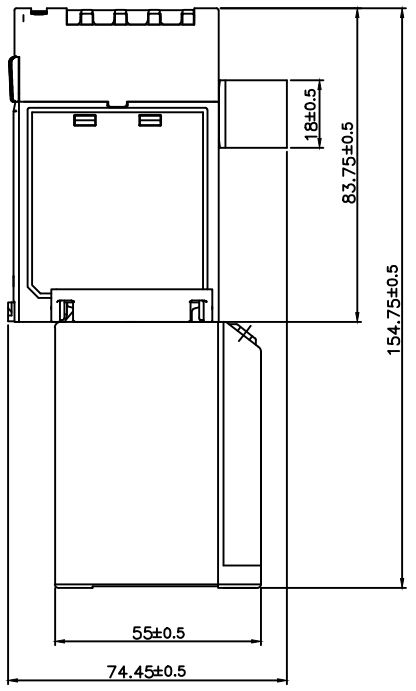
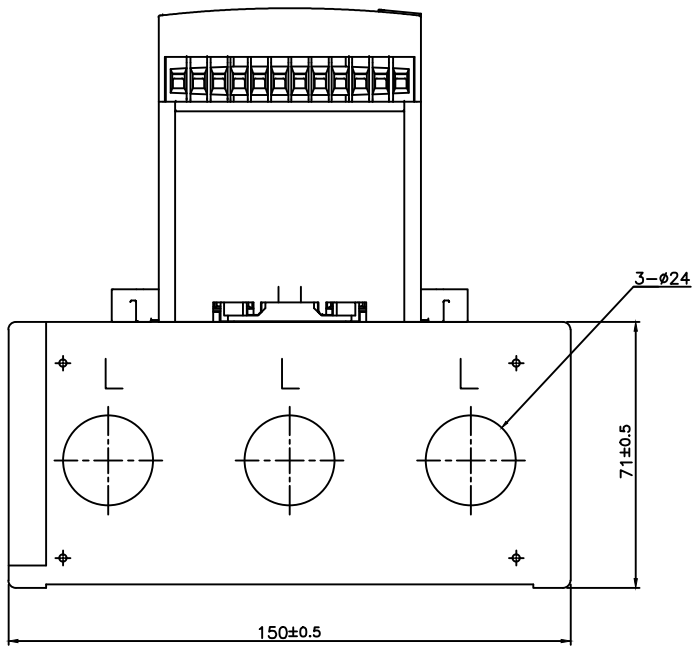
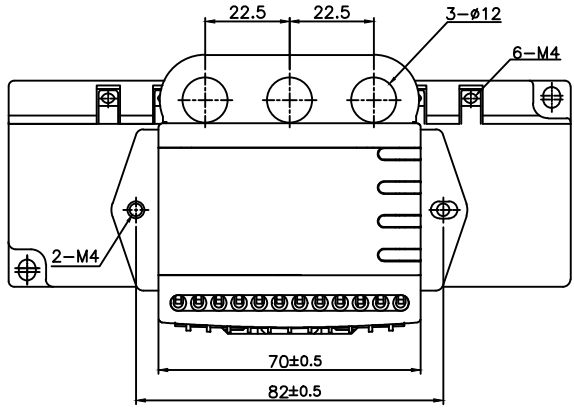


Application  
Phoenix 2



01	01	2008. 03. 04	to define the new drawing for Phoenix 2 Phoenix 2
IED	IEA	Data	Evolution Reason

Designed by: anchul, Kwak	Unit: MM	Scale: 1 / 1	PROJECT Phoenix 2
<b>ACKwak</b>	Designed by: 2008.03.04		PART NAME EOCR-i3DM(WT)+3CT Outline Dimension
Approved by:		RADICAL(Article Code) M217-129A	CD IED 01