

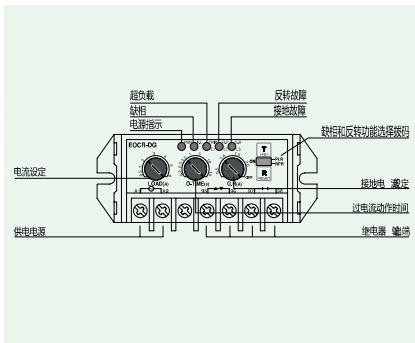
EOCR-DG[T]

具有接地保护功能的多功能保护继电器——残余电流检测法

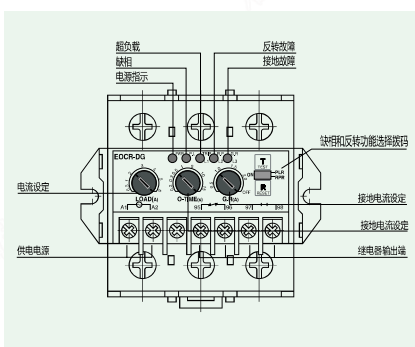
www.skeocr.com
18833390060/18833390050



- 基于MCU微处理器
- 过流/缺相/反转/不平衡/堵转/接地
- 接地故障及接地电流检测
- 宽的电流范围设定
- 自动检测起动延迟时间
- 故障原因及运行指示灯显示
- 定时限特性曲线
- 手动(即时)/电动(远程)复位
- 环境适用性强
- 超级节能
- 无电压释放/安全操作模式 N type
- DG: 贯穿型, DGT: 端子型



EOCR-DG



EOCR-DGT

保护功能

保护项目	动作时间
过电流	O-TIME
缺相	4秒内
反转	0.1 sec
不平衡	8 sec
堵转	D-TIME后 $I > I_s ? 3$
接地	0.5 sec

故障指示-5LED

	PWR	PL	OL	RP	GR
供电后 (操作中)					
过电流					
接地					
反转					
缺相					
L1 相缺失					
L2 相缺失					
L3 相缺失					
不平衡		-			
堵转			-		

LED指示: ON(●), OFF(○), ON-OFF(●-○)

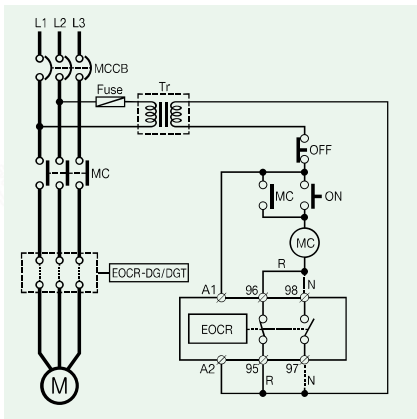
技术参数

型号		EOCR-DG (T)	
电流设定	类型	电流设定范围	接地故障电 流设定
	5	0.5~6A	0.5~2A
	30	3.0~30A	1~5A
	30~600	05型配合外部CT使用	0.5~2A
时间设定	起动延 迟时间	D-TIME	自动计算 (最大60秒)
	动作延时时间	O-TIME	0.2~15秒
复位方式			手动(即时)/电动(速)
电流-时间特性曲线			定时限
指示			5LED
	误差	电流 时间	±0% ±0%
供电电源	电压	110	AC85~150V, 50/60Hz
		220	AC180~260V, 50/60Hz
继电器输出	形式	2-SPST (1a1b)	AC250V/3A
	安全模式	R N	非安全模式 (提供电源: 95-96 打开, 97-98闭合) 安全模式 (提供电源: 95-96 打开, 97-98闭合)
绝缘	绝缘	外壳与 端子间	10MΩ or higher with a DC500V Megger
	耐压	外壳与 端子间	2.0kV power frequency for 1 min
		输出端子间 线路间	1.0kV power frequency for 1 min 2.0kV power frequency for 1 min
使用环境	温度	运行	-20~60°C
		存储	-30~80°C
	湿度		30~85% RH 无凝露
功耗			小于0.2W
安装方式		EOCR-DG	Panel
		EOCR-DGT	35mm DIN Rail/Panel

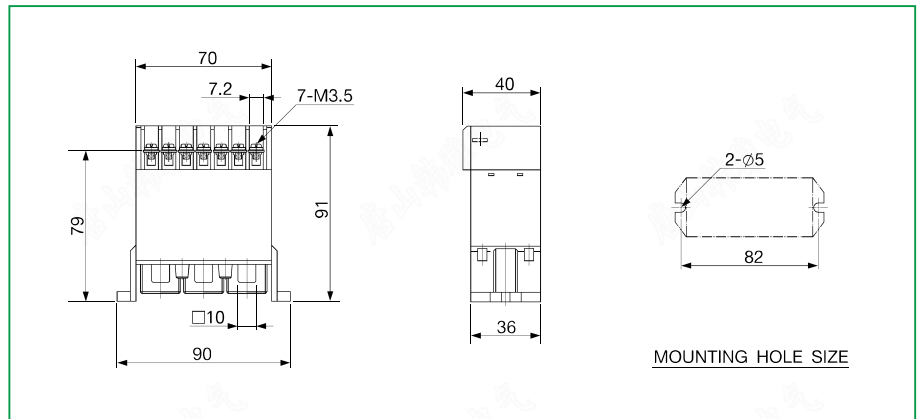
EOCR-DG[T]

具有接地保护功能的多功能保护继电器——残余电流检测法

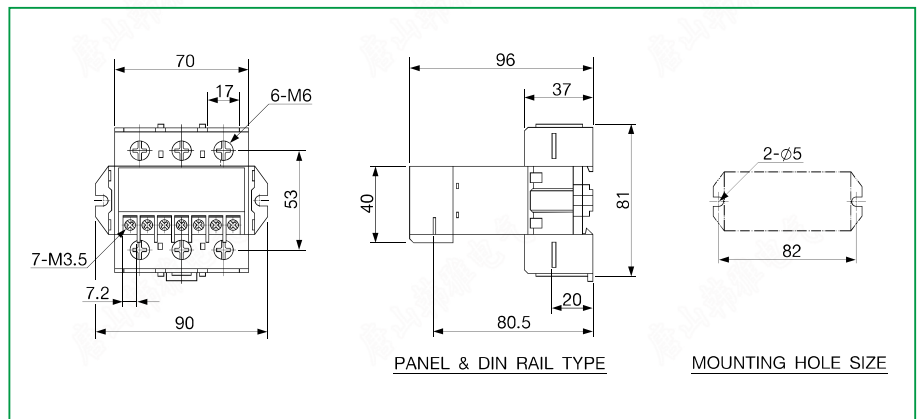
www.skeocr.com
18833390060/18833390050



※ "N" (Fail safe Type) converts 95-96 to open and 97-98 to close when operating power is supplied to A1 and A2 (or L1 and L2).



EOCR-DG (HoleType)



EOCR-DGT (端子型)

选型表

参考代码	电流范围 [A]	CT	输出触点	供电电源		Notes	
				电压 [V]	频率 [Hz]		
EOCRDG	-05RB	5	-	R	AC/DC24V	-	For Panel Mounting
	-H1RB	5	100:05:00	R	AC/DC24V	-	For Panel Mounting
	-HHRB	5	150:05:00	R	AC/DC24V	-	For Panel Mounting
	-H2RB	5	200:05:00	R	AC/DC24V	-	For Panel Mounting
	-H3RB	5	300:05:00	R	AC/DC24V	-	For Panel Mounting
	-H4RB	5	400:05:00	R	AC/DC24V	-	For Panel Mounting
	-05NB	5	-	N	AC/DC24V	-	For Panel Mounting
	-H1NB	5	100:05:00	N	AC/DC24V	-	For Panel Mounting
	-HHNB	5	150:05:00	N	AC/DC24V	-	For Panel Mounting
	-H2NB	5	200:05:00	N	AC/DC24V	-	For Panel Mounting
	-H3NB	5	300:05:00	N	AC/DC24V	-	For Panel Mounting
	-H4NB	5	400:05:00	N	AC/DC24V	-	For Panel Mounting
	-05RF7	5	-	R	AC 110V	50/60	For Panel Mounting
	-H1RF7	5	100:05:00	R	AC 110V	50/60	For Panel Mounting
	-HHRF7	5	150:05:00	R	AC 110V	50/60	For Panel Mounting
	-H2RF7	5	200:05:00	R	AC 110V	50/60	For Panel Mounting
	-H3RF7	5	300:05:00	R	AC 110V	50/60	For Panel Mounting
	-H4RF7	5	400:05:00	R	AC 110V	50/60	For Panel Mounting
	-05NF7	5	-	N	AC 110V	50/60	For Panel Mounting
	-H1NF7	5	100:05:00	N	AC 110V	50/60	For Panel Mounting
	-HHNF7	5	150:05:00	N	AC 110V	50/60	For Panel Mounting
	-H2NF7	5	200:05:00	N	AC 110V	50/60	For Panel Mounting
	-H3NF7	5	300:05:00	N	AC 110V	50/60	For Panel Mounting
	-H4NF7	5	400:05:00	N	AC 110V	50/60	For Panel Mounting
	-05RM7	5	-	R	AC 220V	50/60	For Panel Mounting
	-H1RM7	5	100:05:00	R	AC 220V	50/60	For Panel Mounting
	-HHRM7	5	150:05:00	R	AC 220V	50/60	For Panel Mounting
	-H2RM7	5	200:05:00	R	AC 220V	50/60	For Panel Mounting
	-H3RM7	5	300:05:00	R	AC 220V	50/60	For Panel Mounting
	-H4RM7	5	400:05:00	R	AC 220V	50/60	For Panel Mounting
	-05NM7	5	-	N	AC 220V	50/60	For Panel Mounting
	-H1NM7	5	100:05:00	N	AC 220V	50/60	For Panel Mounting
	-HHNM7	5	150:05:00	N	AC 220V	50/60	For Panel Mounting
	-H2NM7	5	200:05:00	N	AC 220V	50/60	For Panel Mounting
	-H3NM7	5	300:05:00	N	AC 220V	50/60	For Panel Mounting
	-H4NM7	5	400:05:00	N	AC 220V	50/60	For Panel Mounting
	-30RB	30	-	R	AC/DC24V	-	For Panel Mounting
	-30NB	30	-	N	AC/DC24V	-	For Panel Mounting
	-30RF7	30	-	R	AC 110V	50/60	For Panel Mounting
	-30NF7	30	-	N	AC 110V	50/60	For Panel Mounting
	-30RM7	30	-	R	AC 220V	50/60	For Panel Mounting
	-30NM7	30	-	N	AC 220V	50/60	For Panel Mounting
EOCRDGT	-05RB	5	-	R	AC/DC24V	-	For both Panel DIN Rail
	-05NB	5	-	N	AC/DC24V	-	For both Panel DIN Rail
	-05RF7	5	-	R	AC 110V	50/60	For both Panel DIN Rail
	-05NF7	5	-	N	AC 110V	50/60	For both Panel DIN Rail
	-05RM7	5	-	R	AC 220V	50/60	For both Panel DIN Rail
	-05NM7	5	-	N	AC 220V	50/60	For both Panel DIN Rail
	-30RB	30	-	R	AC/DC24V	-	For both Panel DIN Rail
	-30NB	30	-	N	AC/DC24V	-	For both Panel DIN Rail
	-30RF7	30	-	R	AC 110V	50/60	For both Panel DIN Rail
	-30NF7	30	-	N	AC 110V	50/60	For both Panel DIN Rail
	-30RM7	30	-	R	AC 220V	50/60	For both Panel DIN Rail
	-30NM7	30	-	N	AC 220V	50/60	For both Panel DIN Rail

* 附件

附件		
型号	参考代码	电流互感器CT变比
3CT	3CT-H1-100-C	100:5
	3CT-HH-150-C	150:5
	3CT-H2-200-C	200:5
	3CT-H3-300-C	300:5
	3CT-H4-400-C	400:5

产品订购

e. g. , To order an EOCR-DG:

E O C R D G - 0 5 R F 7
A B C

A	电流范围	5	0.5-6A
		30	3-30A
		H1	100:5 3CT Combination Type
		HH	150:5 3CT Combination Type
		H2	200:5 3CT Combination Type
		H3	300:5 3CT Combination Type
B	输出触点状态	R	常态不被激励
		N	常态被激励
C	供电电源/频率	B	AC/DC24V Compatible
		F7	AC110V, 50/60Hz
		M7	AC220V, 50/60Hz

※对于CT组合类型, 请分别从CT订单代码中编写附件代码

e. g. , To order a 3CT:

3 C T - H 1 - 1 0 0 - C
A

A	电流互感器CT 变比	H1	100	Rectangular 3CT 100:5
		HH	150	Rectangular 3CT 150:5
		H2	200	Rectangular 3CT 200:5
		H3	300	Rectangular 3CT 300:5
		H4	400	Rectangular 3CT 400:5

e. g. , To order an EOCR-DGT:

E O C R D G T - 0 5 R F 7
A□ B□ C□

A	电流范围	5	0.5-6A
		30	3-30A
B	输出触点状态	R	常态不被激励
		N	常态被激励
C	供电电源/频率	B	AC/DC24V Compatible
		F7	AC110V, 50/60Hz
		M7	AC220V, 50/60Hz