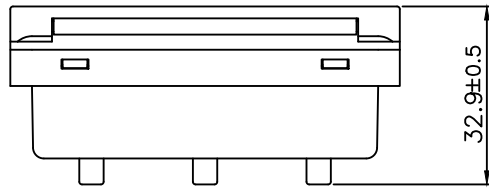
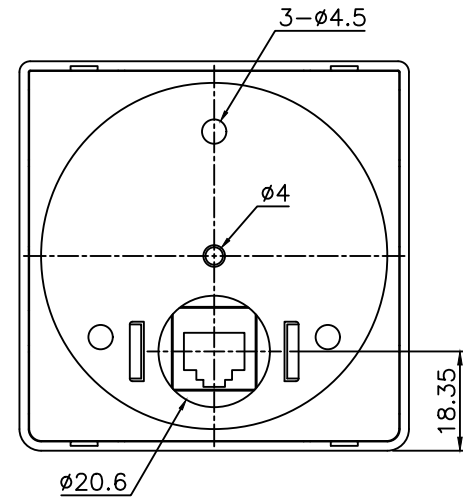
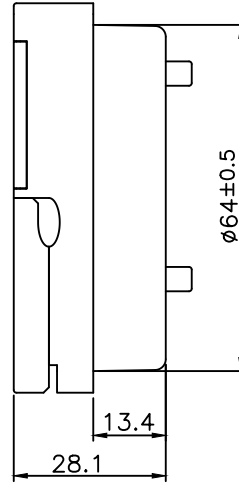
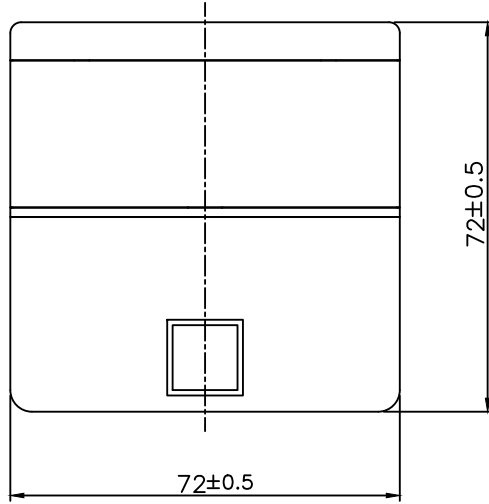


Application
Phoenix 2



02	②	2012. 12. 12	to remove the EOCR logo on top face EOCR logo
01	①	2008. 03. 04	to define the new drawing for Phoenix 2 Phoenix 2
IED	IEA	Data	Evolution Reason

Designed by:
anchul, Kwak

ACKwak

Approved by:

Unit:
MM

Scale:
1 / 1

Designed by:
2008.03.04

PROJECT
Phoenix 2

PART NAME
EOCR-PDM Outline Dimension

RADICAL(Article Code)
M217-140A

CD IED
02